



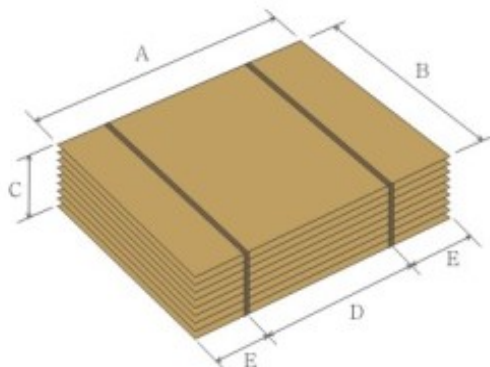
DongGuan QiDe Machinery Co., Ltd

东莞市启德机械有限公司

XinNan 2nd Industrial Zone, Qi Shi Town, Dong Guan City, Guang Dong Province, China  
Talon lai +8618607698261 Tel:86 769 86666261 Email:lai@qidemachinery.com

一、YXD-050 1500mm Double Servo control Automatic PE packaging Machine

No	Items	Specs
1	packaging length size	Max: 1500mm
		Min: 220mm
2	packaging width size	Max: 1500mm
		Min: 300mm
3	packaging height size	Max: 340mm
		Min: 40mm
4	Packaging speed	28±2 packs/minute
5	strapping tie type	PE tie 28#、32#
6	Machine length	3200mm
7	Machine width	2800mm
8	Machine Height	1800mm
9	Machine weight	2T
10	Machine power	2.0KW
11	Work pressure	0.5MPa



	最小 Min size	最大 Max size
A	300mm	1500mm
B	220mm	1500mm
C	40mm	340mm
D	210mm	960mm
E	45mm	270mm